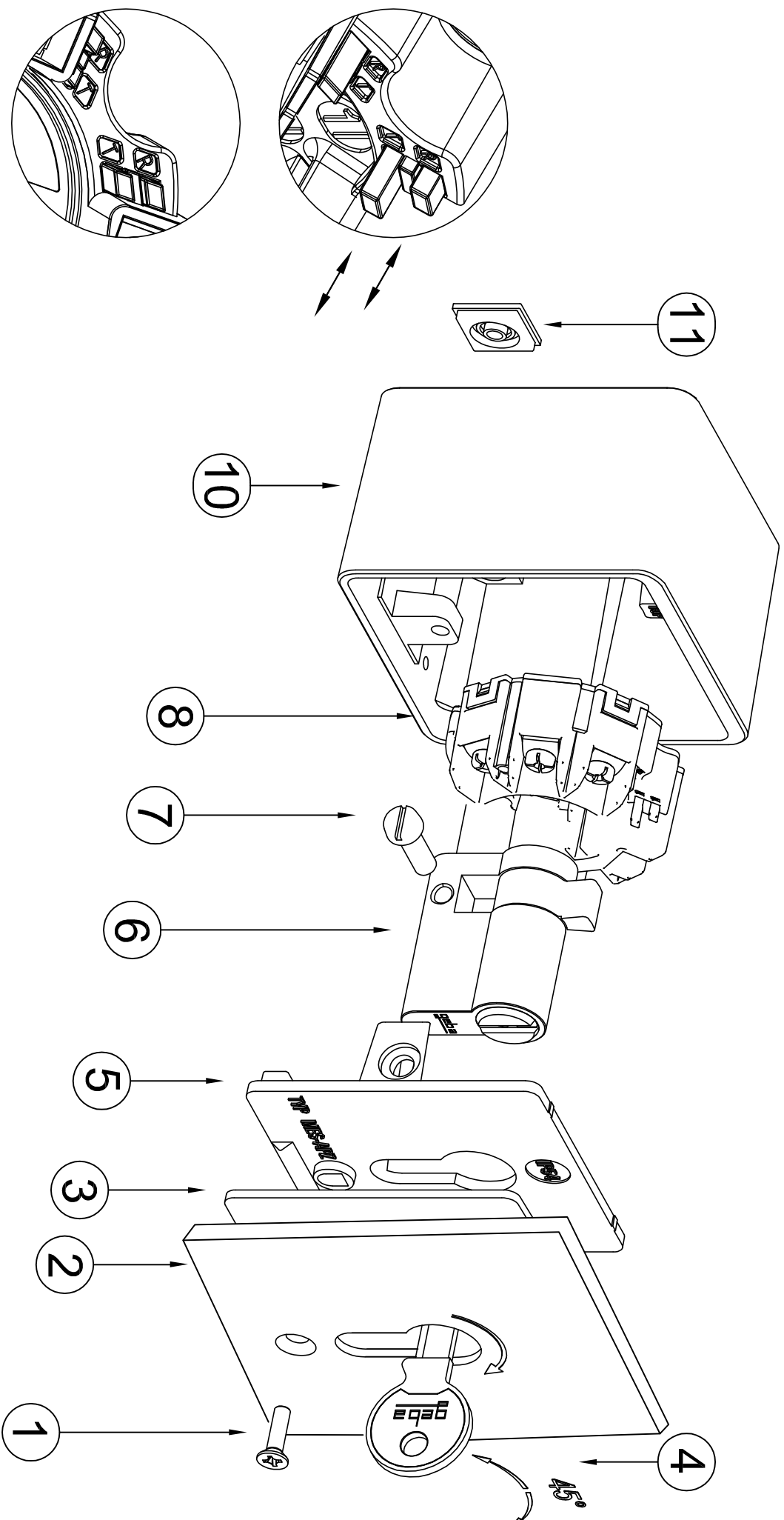


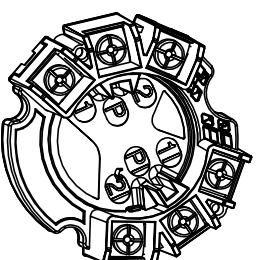
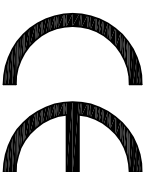
**geba**®

Technical data is subject to change.  
 Assembly, connection and maintenance of the  
 device may only be executed by personnel  
 trained accordingly.





geba®



AC-15 Ue 240V Ie 5A  
 Ui 300 V ith 16A  
 max 1,5mm<sup>2</sup>

**2T(R)/2**

